

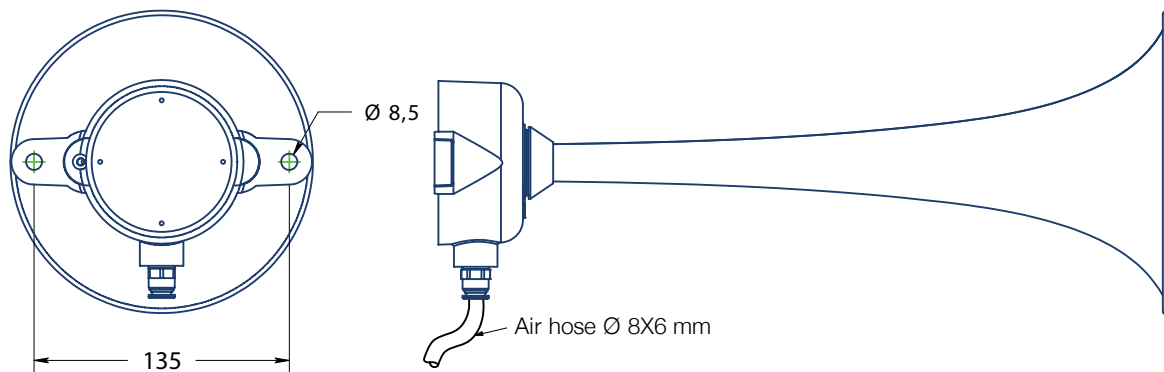
# AIR HORN DHR H200 Series

## Specifications

- Materials : Solid brass horn, stainless steel 316 membrane house
- Finish : Painted mat black
- Connection : 1/4" Push in fitting for Ø8 x 6mm hose

| Model | Ground frequency | Sound pressure | Consumption   | Air pressure | Weight | Length | Diameter |
|-------|------------------|----------------|---------------|--------------|--------|--------|----------|
| H200  | 660Hz            | 116-138dB(A)   | 2 - 3,5 l/s   | 2 - 10 Bar   | 1,2 Kg | 198mm  | 130mm    |
| H210  | 377Hz            | 116-132 dB(A)  | 1,5 - 3,5 l/s | 1,5 - 10 Bar | 1,4 Kg | 387mm  | 160mm    |
| H220  | 307Hz            | 116-132 dB(A)  | 1,5 - 3,5 l/s | 1,5 - 10 Bar | 1,4 Kg | 450mm  | 130mm    |

The DHR H200 series air horns work on both a small (air horn) compressor or on the onboard compressor.



## Parts list

| Number | Description           |
|--------|-----------------------|
|        | Horn H200, 198mm      |
| 1      | Horn H210, 387mm      |
|        | Horn H220, 450mm      |
| 2      | Membrane housing lid  |
| 3      | Cup point M4          |
| 4      | Membrane              |
| 5      | Membrane housing (SS) |
| 6      | Push-in fitting 1/4"  |

